

## Plastic-Encapsulate Transistors

TRANSISTOR (PNP)

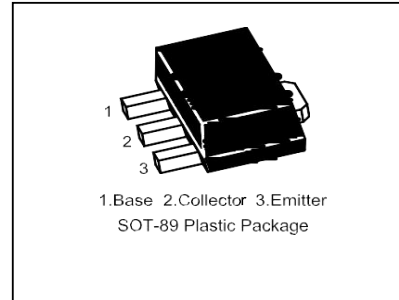
### FEATURES

Compliment to 2SA2071

MARKING: Y2

MAXIMUM RATINGS ( $T_a=25^{\circ}\text{C}$  unless otherwise noted)

Symbol	Parameter	Value	Unit
$V_{CB0}$	Collector-Base Voltage	-60	V
$V_{CEO}$	Collector-Emitter Voltage	-60	V
$V_{EBO}$	Emitter-Base Voltage	-6	V
$I_C$	Collector Current -Continuous	-3	A
$P_C$	Collector Power Dissipation	0.5	W
$R_{\theta JA}$	Thermal Resistance From Junction To Ambient	250	$^{\circ}\text{C}/\text{W}$
$T_J$	Junction Temperature	150	$^{\circ}\text{C}$
$T_{stg}$	Storage Temperature	-55~150	$^{\circ}\text{C}$



ELECTRICAL CHARACTERISTICS ( $T_a=25^{\circ}\text{C}$  unless otherwise specified)

Parameter	Symbol	Test conditions	Min	Typ.	Max	Unit
Collector-base breakdown voltage	$V_{(BR)CBO}$	$I_C = -100\mu\text{A}, I_E = 0$	-60	-	-	V
Collector-emitter breakdown voltage	$V_{(BR)CEO}$	$I_C = -1\text{mA}, I_B = 0$	-60	-	-	V
Emitter-base breakdown voltage	$V_{(BR)EBO}$	$I_E = -100\mu\text{A}, I_C = 0$	-6	-	-	V
Collector cut-off current	$I_{CBO}$	$V_{CB} = -40\text{V}, I_E = 0$	-	-	-1.0	$\mu\text{A}$
Emitter cut-off current	$I_{EBO}$	$V_{EB} = -4\text{V}, I_C = 0$	-	-	-1.0	$\mu\text{A}$
DC current gain	$h_{FE(1)}$	$V_{CE} = -2\text{V}, I_C = -100\text{mA}$	120	-	270	
Collector-emitter saturation voltage	$V_{CE(sat)}$	$I_C = -2\text{A}, I_B = -0.2\text{A}$	-	-0.2	-0.5	V
Transition frequency	$f_T$	$V_{CE} = -10\text{V}, I_C = -100\text{mA}$ $f = 1\text{MHz}$	-	180	-	MHz
output capacitance	$C_{ob}$	$V_{CB} = -10\text{V}, I_E = 0\text{A}$ $f = 1\text{MHz}$	-	50	-	pF
Turn-on time	$T_{on}$	$I_C = -3\text{A},$ $I_{B1} = -300\text{mA},$ $I_{B2} = 300\text{mA},$ $V_{CC} = -25\text{V},$ $R_L = 8.3\Omega,$ See test circuit	-	20	-	ns
Storage time	$T_{stg}$		-	150	-	ns
Fall time	$T_f$		-	20	-	ns

CLASSIFICATION OF  $h_{FE(1)}$

Rank	Q	
HFE	120-270	



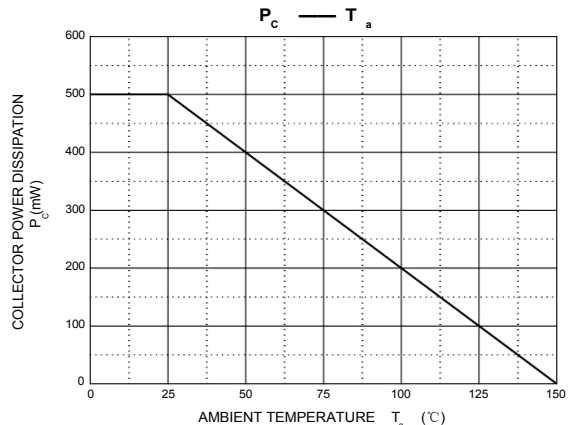
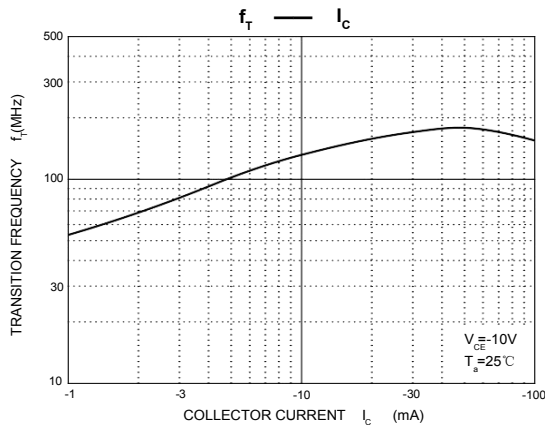
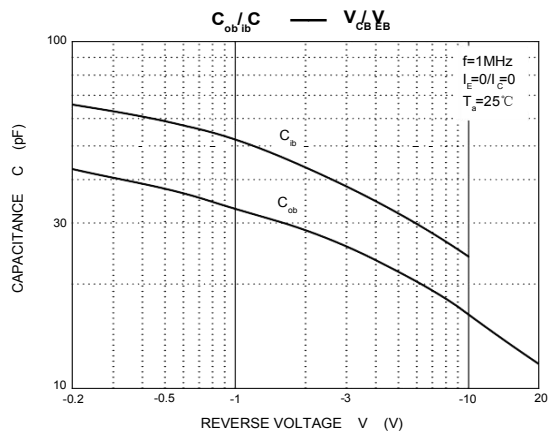
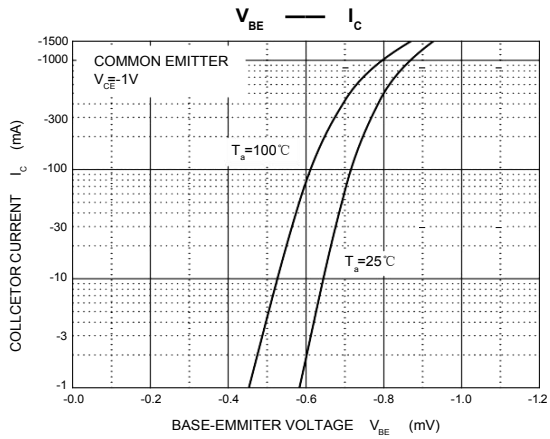
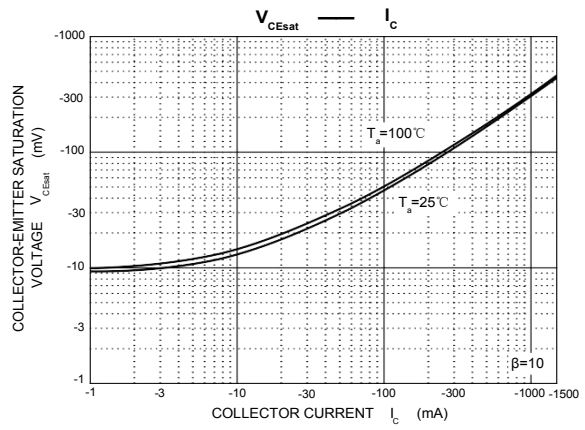
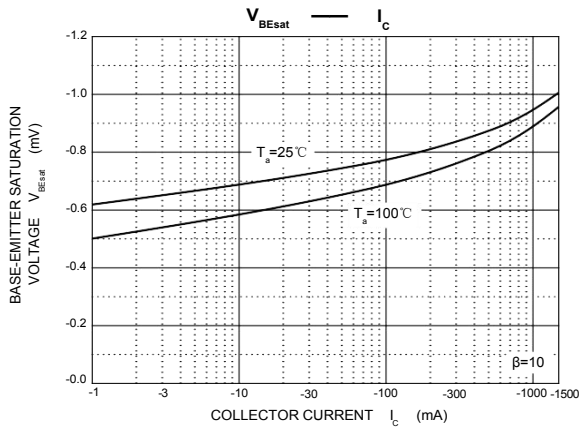
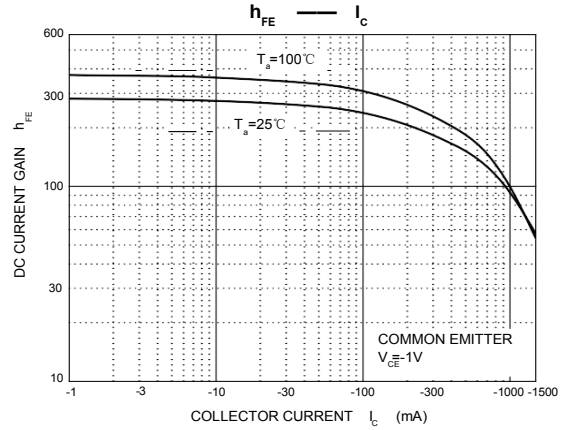
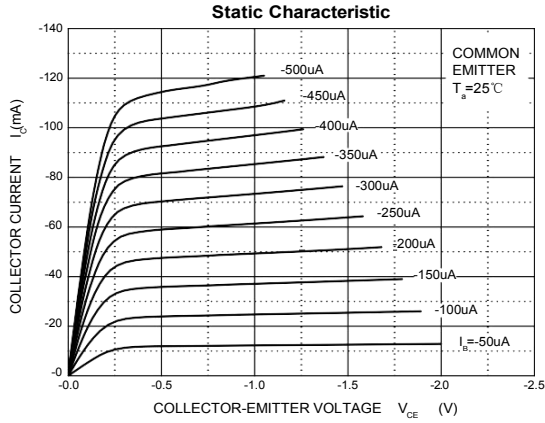
**CHINA BASE**  
INTERNATIONAL

**SOT-89**

**2SA2071**

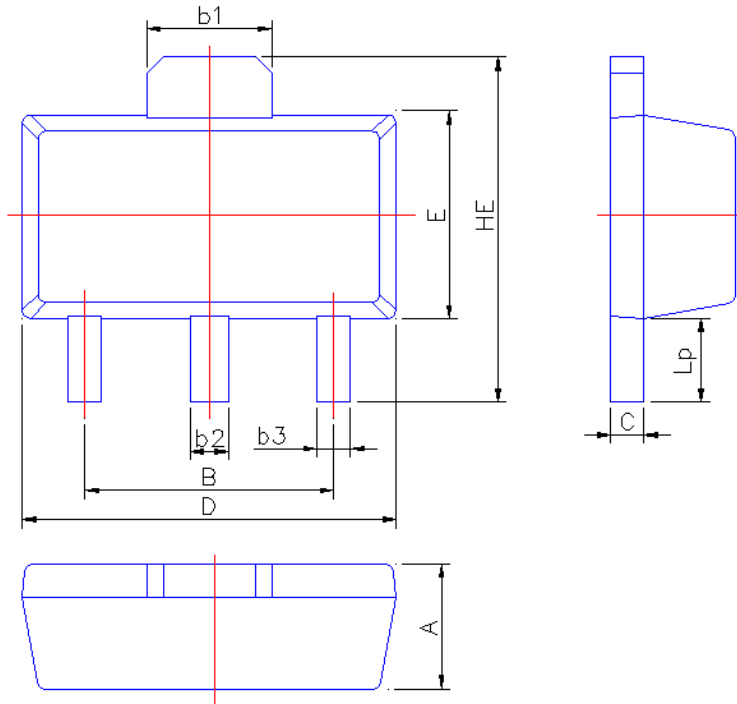


www.china-base.com.hk





## SOT-89 PACKAGE OUTLINE



Symbol	Dimension in Millimeters	
	Min	Max
A	1.40	1.60
B	2.95	3.05
b1	1.45	1.70
b2	0.45	0.56
b3	0.35	0.50
C	0.35	0.50
D	4.40	4.60
E	2.35	2.55
HE	3.90	4.40
Lp	0.90	1.10